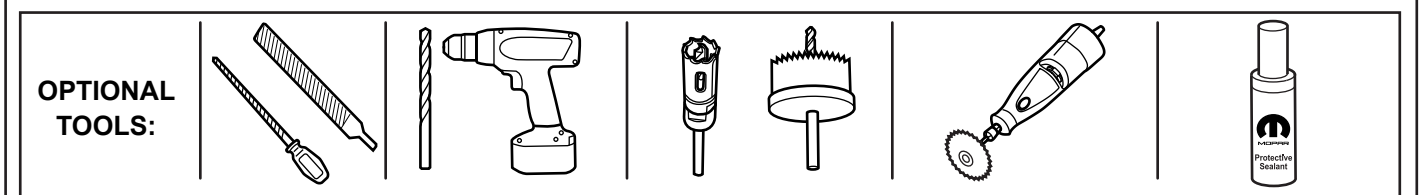
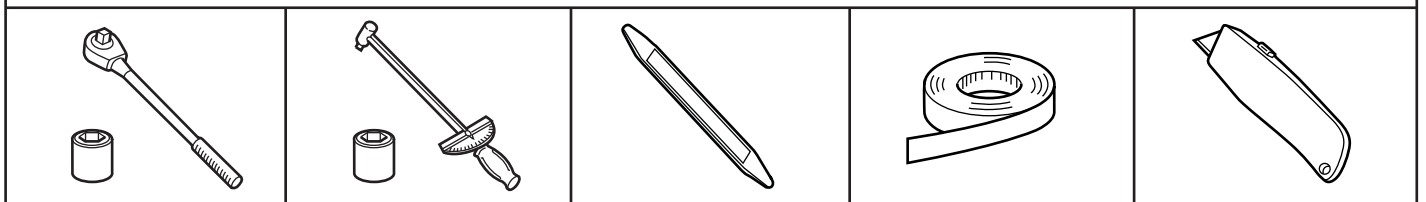
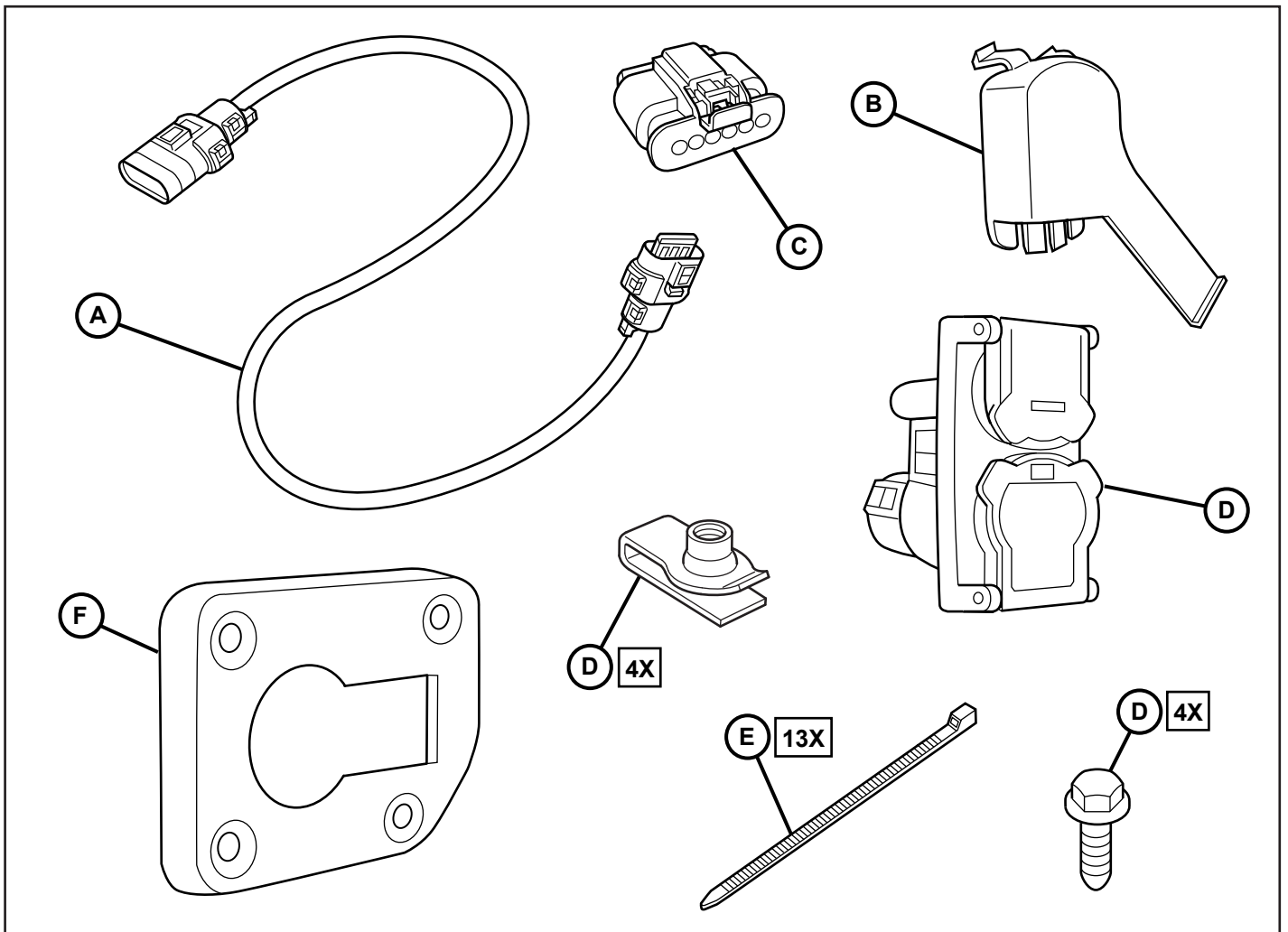




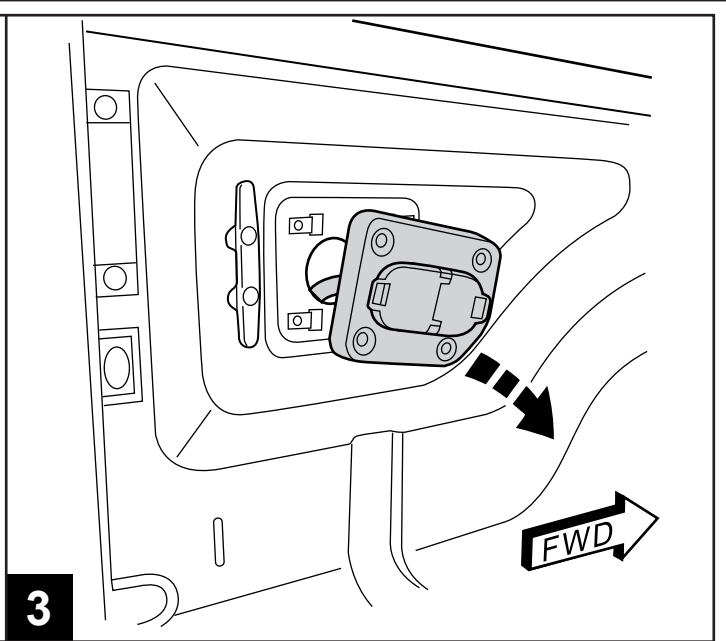
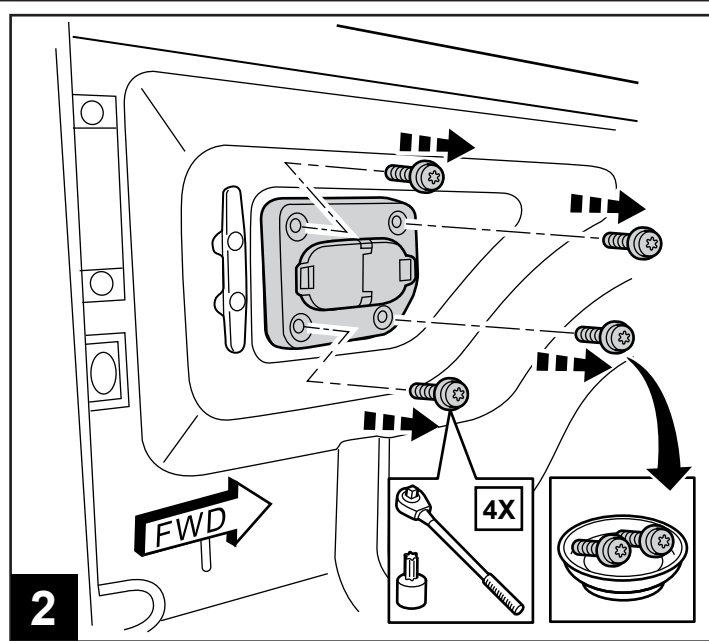
# GOOSE NECK / 5th WHEEL TRAILER CAMERA HARNESS RAM HEAVY TRUCK 2500/3500

www.mopar.com

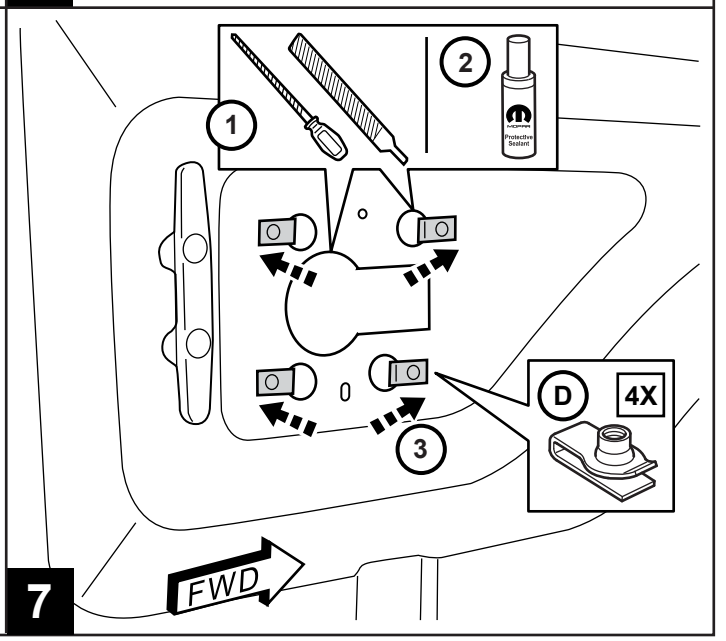
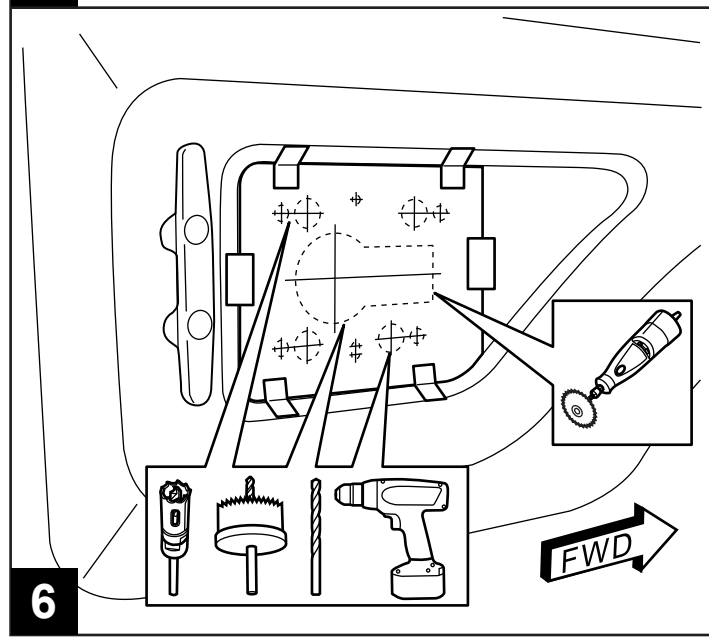
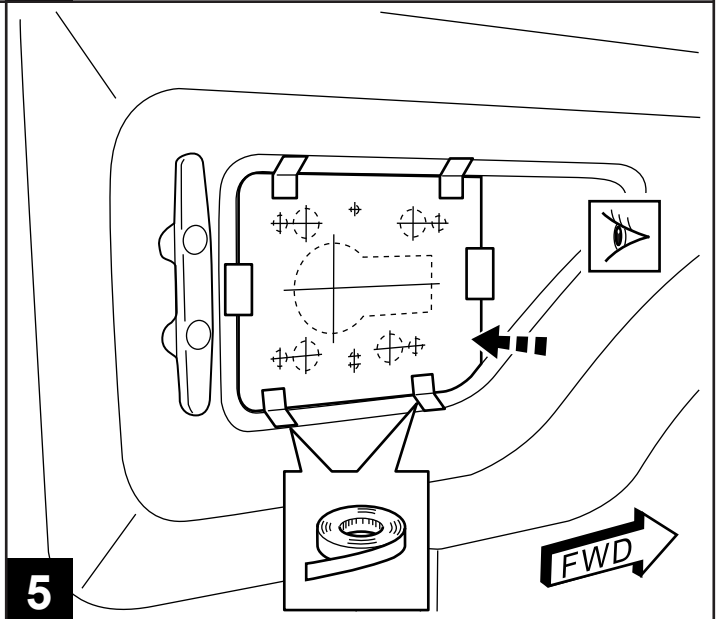
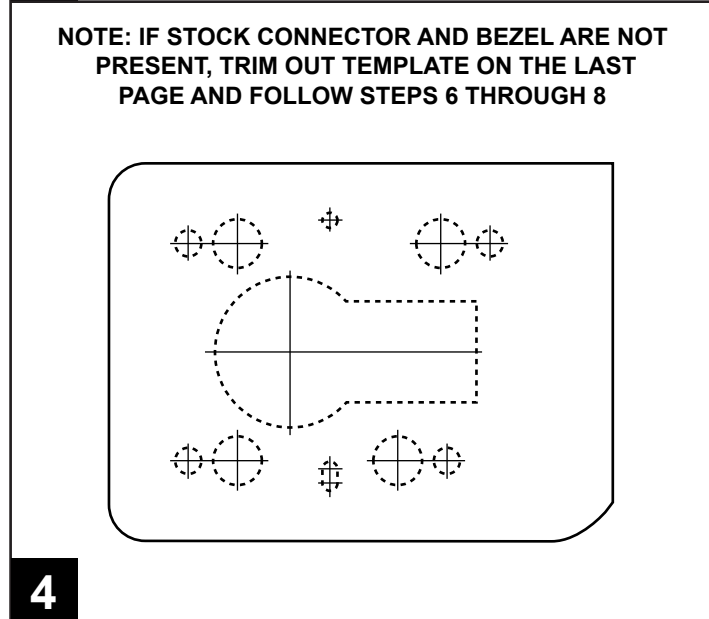


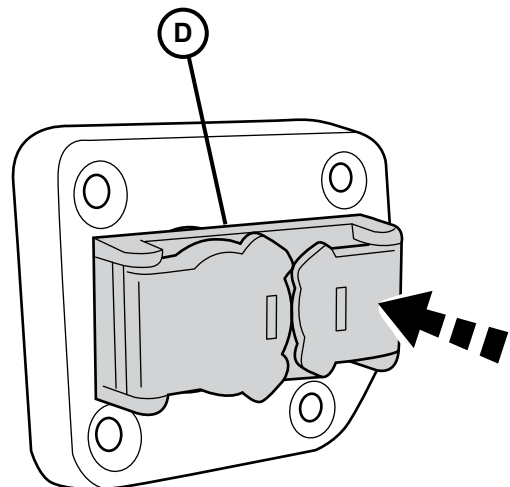
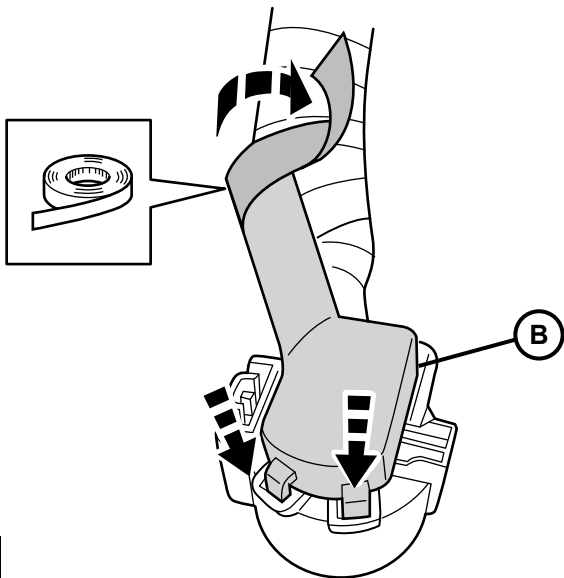
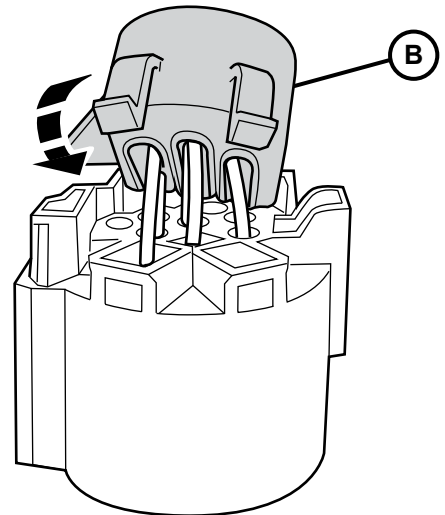
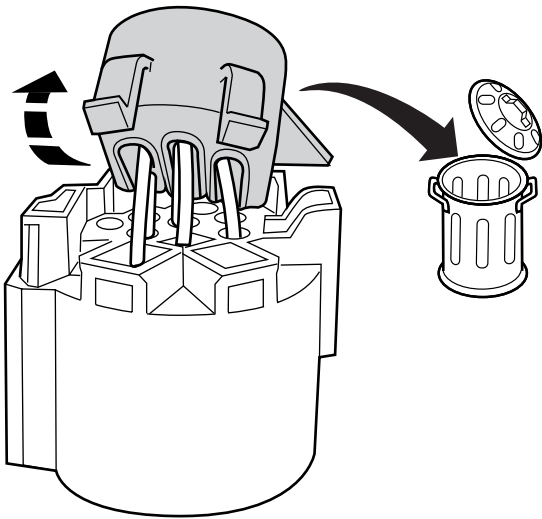
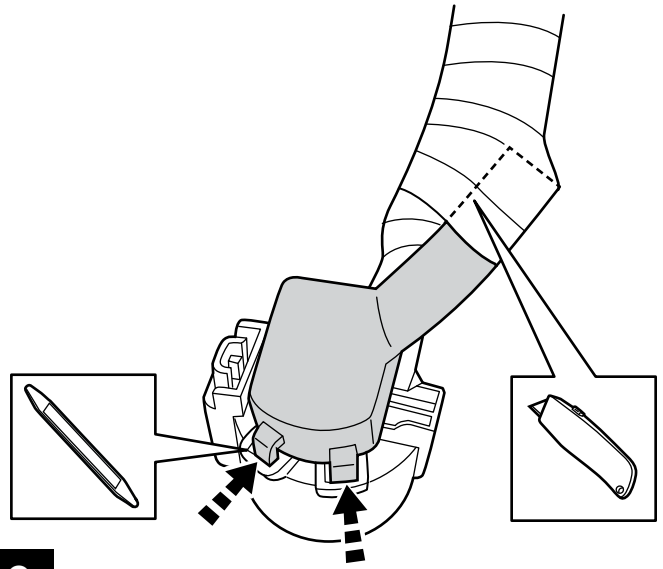
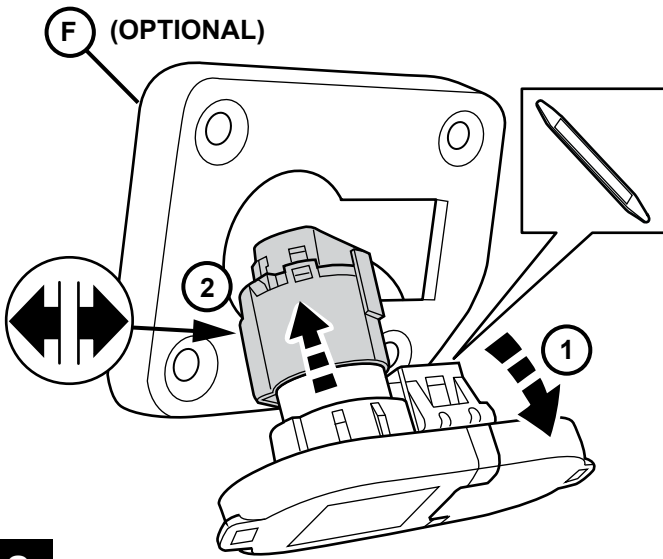
**IMPORTANT: VERIFY THAT VEHICLE TRAILER CAMERA HARNESS  
PREP KIT IS INSTALLED BEFORE PROCEEDING**

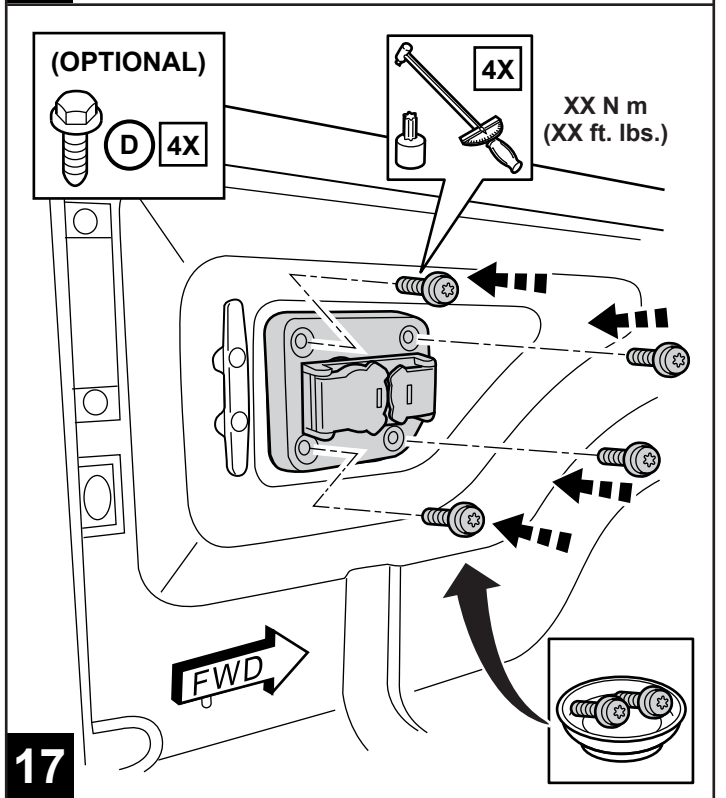
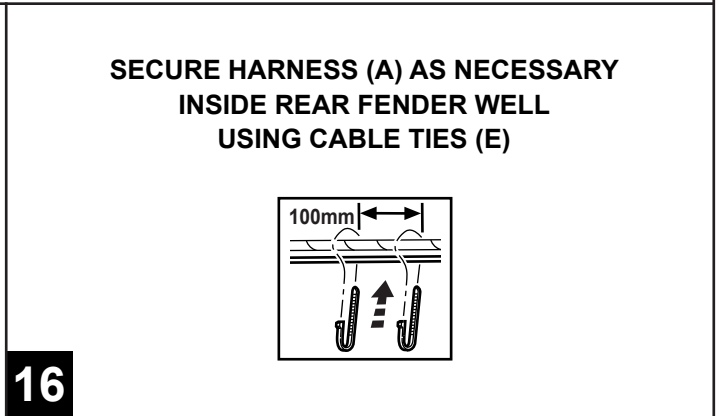
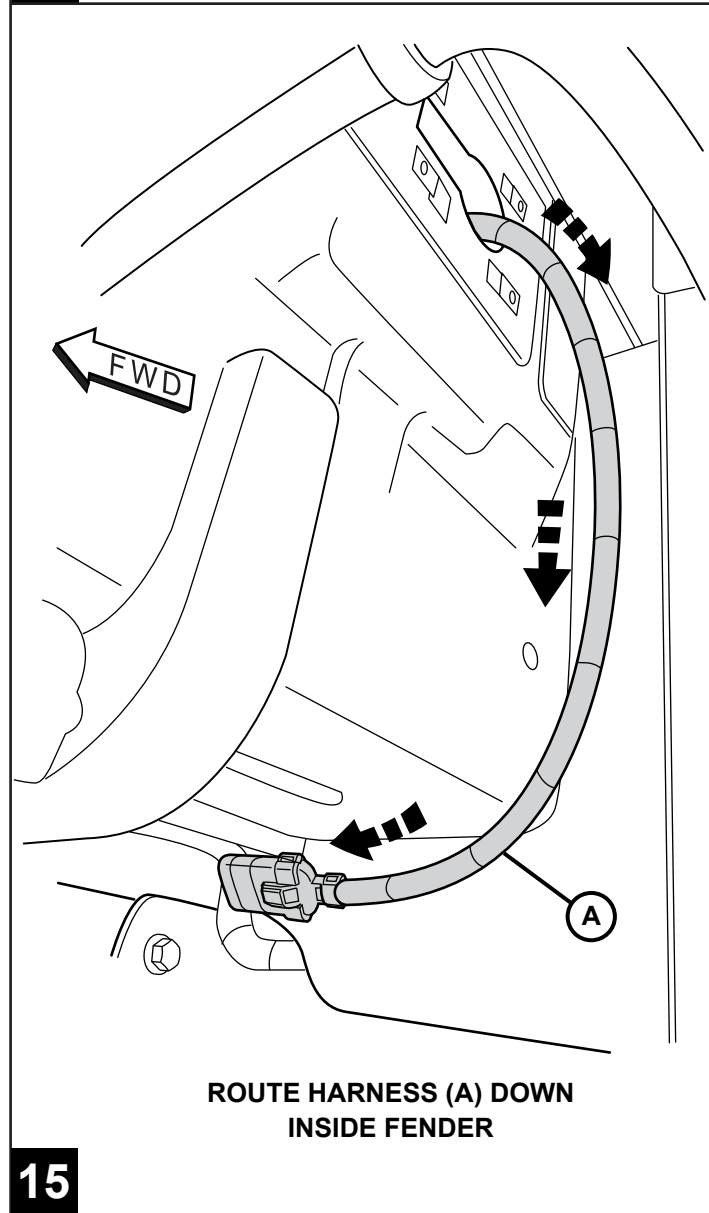
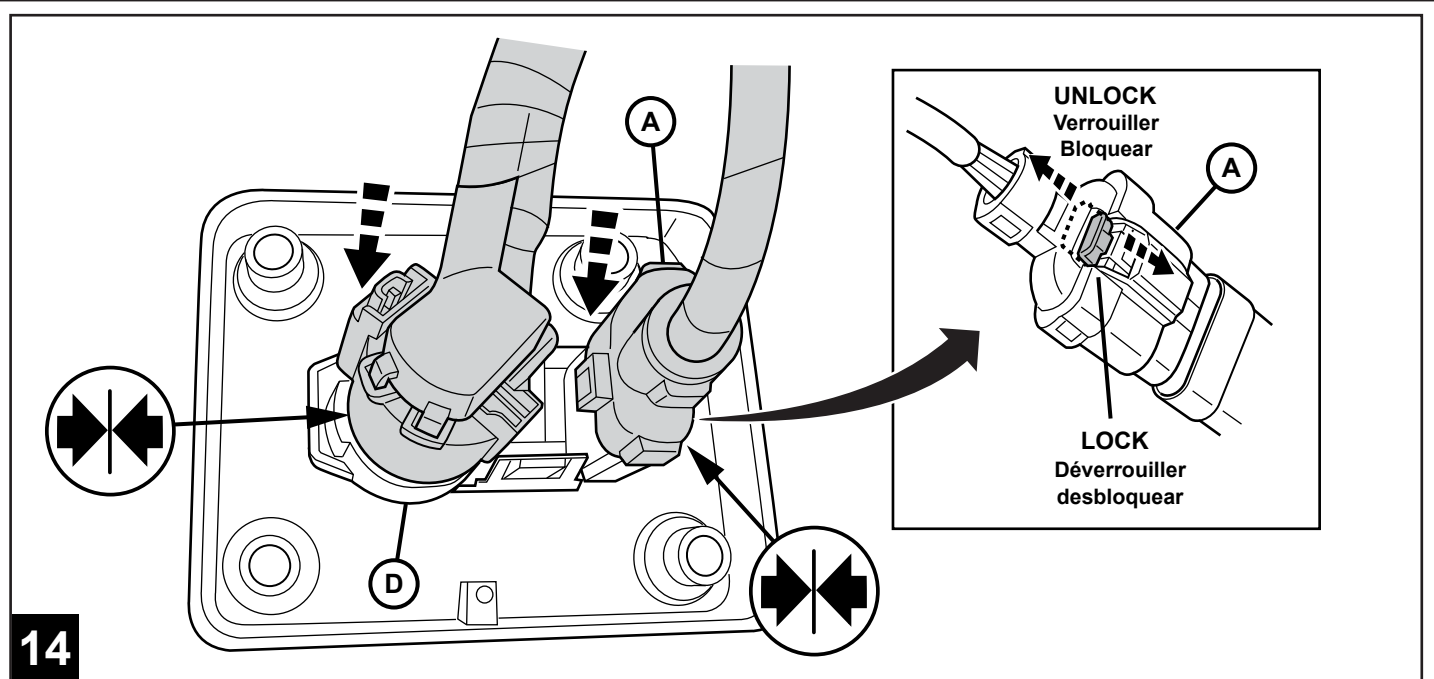
**IMPORTANT: BE SURE TO PRINT TEMPLATE AT ACTUAL SIZE 100% SCALE**

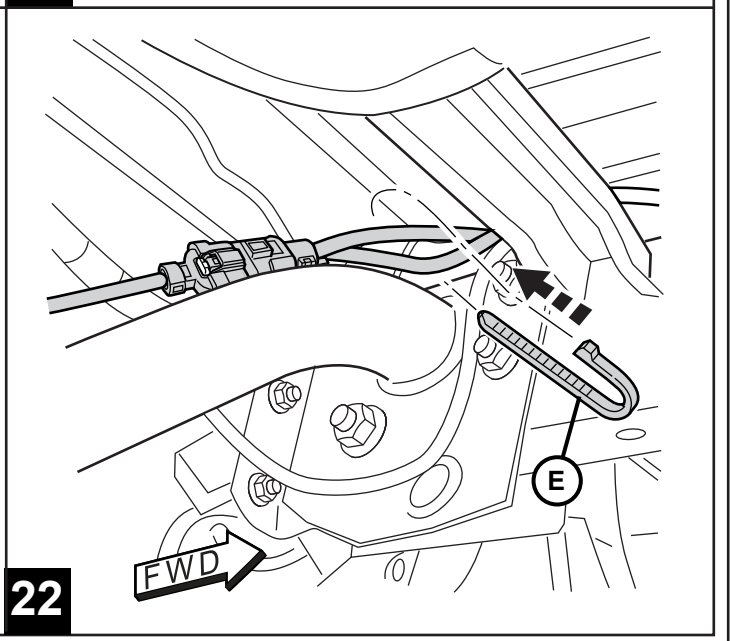
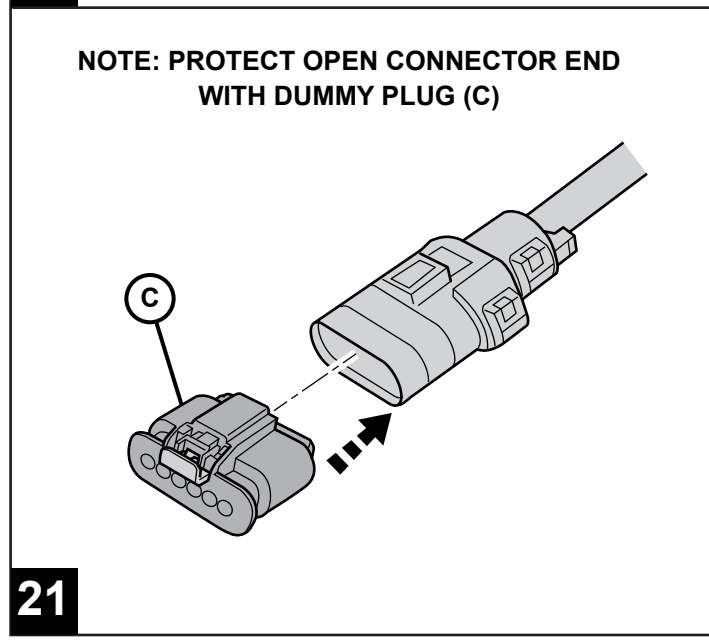
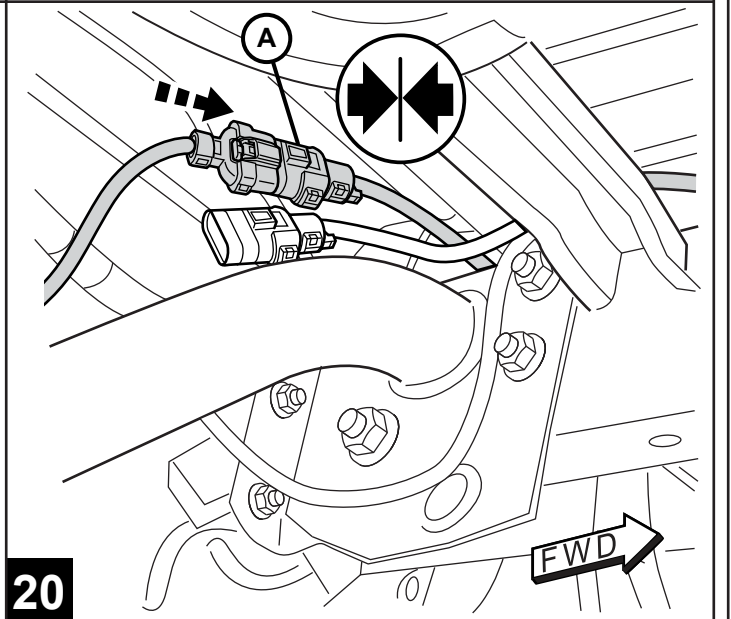
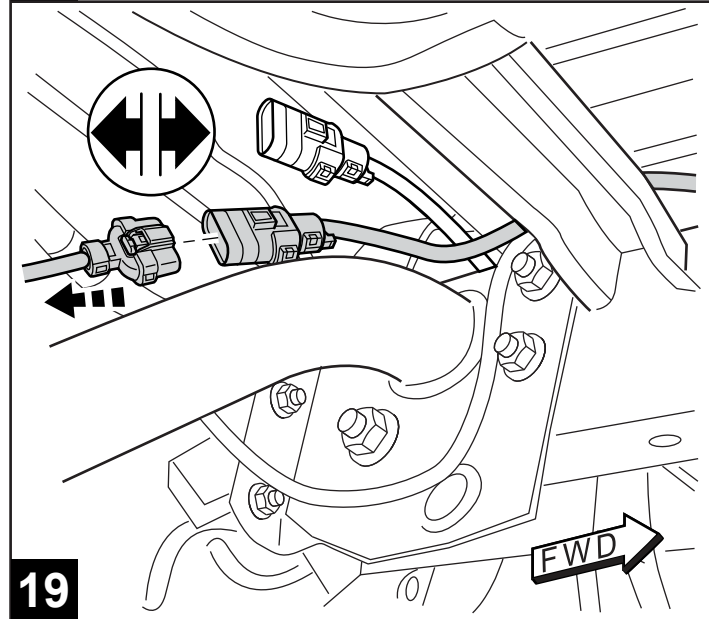
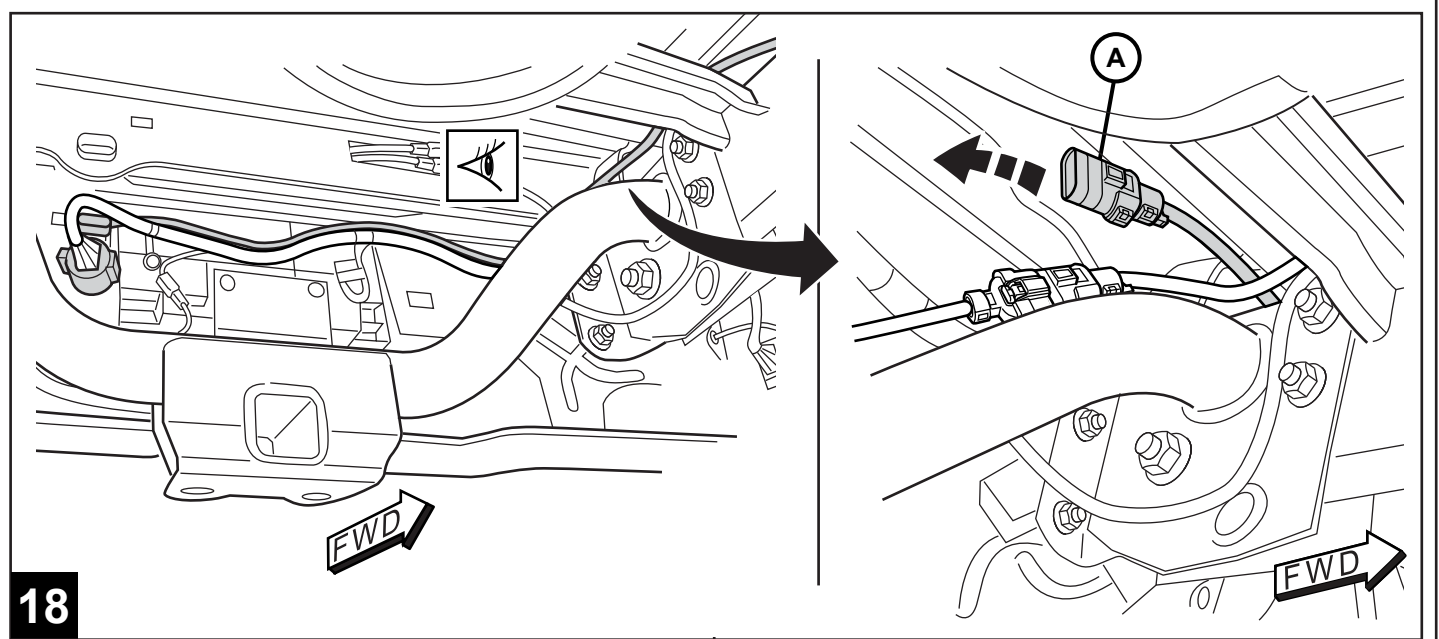


**NOTE: IF STOCK CONNECTOR AND BEZEL ARE NOT PRESENT, TRIM OUT TEMPLATE ON THE LAST PAGE AND FOLLOW STEPS 6 THROUGH 8**









**IMPORTANT:  
VERIFY THAT PRINTOUT IS 100% SCALE**

